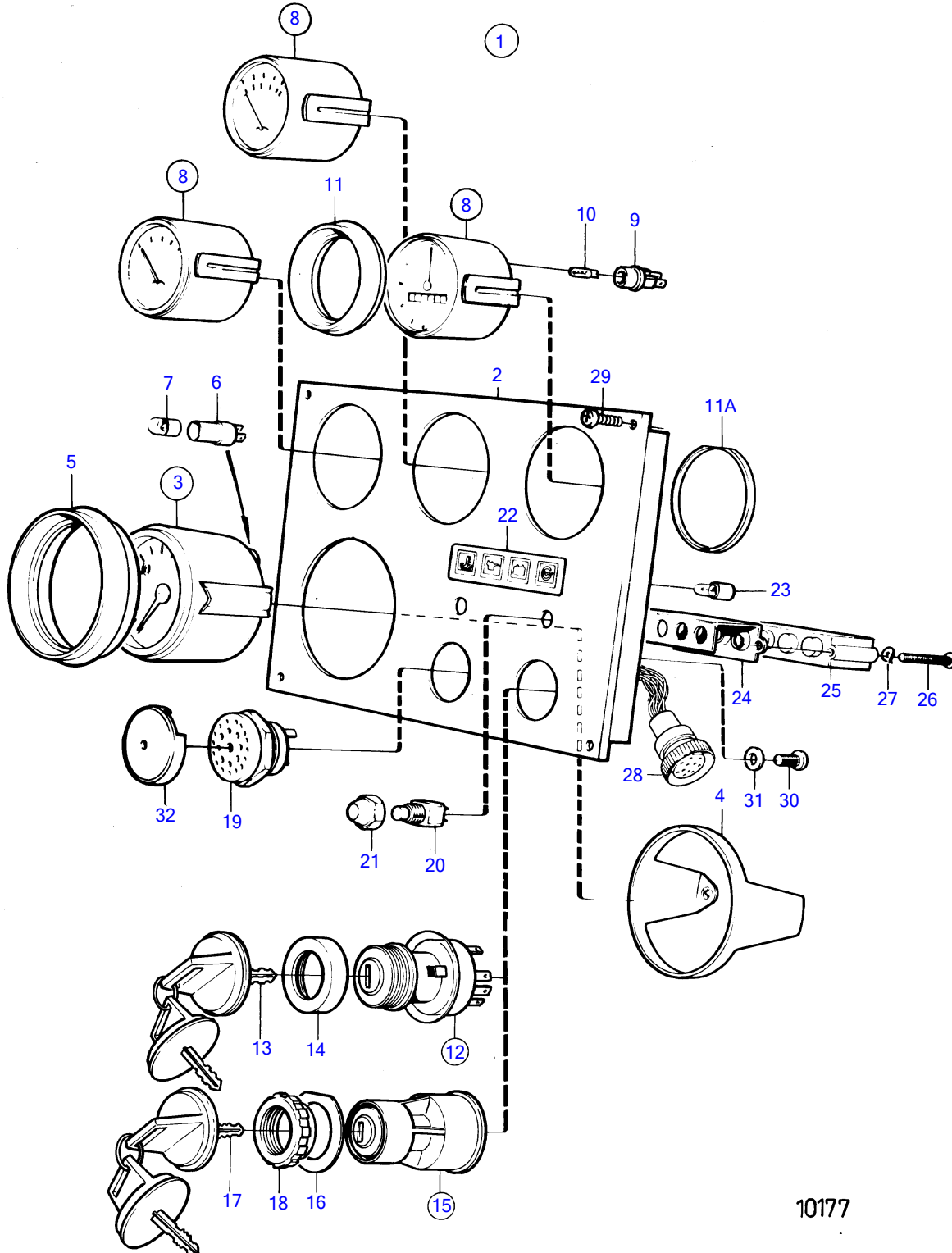


TAMD122A, TMD122A



10177

## TAMD122A, TMD122A

REF	PART NO.	QTY	DESCRIPTION	SEE SEC.	NOTES
1	862579	1	Instrument panel		White coloured stripe., Replaced by 864046
2	860182	1	• Instrument panel		White coloured stripe.
3	854910	1	• Tachometer		
4	849523	1	• • Attaching ring		
5	858644	1	• Front ring		(828559)
6	808175	1	• Lamp socket		Fits bulb with base BA 7S.
7	182059	1	• Bulb		24V, 3W BA7S
8	863933	1	• Thermometer		
	863935	1	• Manometer		For bulb with base W2X4,6d.
	873200	1	• Voltmeter		(863931)
9	863945	3	• • Lamp socket		For bulb with base W2X4,6d., For instruments of early production should white bulb 182059 and bulb holder 808175 be mounted.
10	863947	3	• • Bulb		For instruments of early production should white bulb 182059 and bulb holder 808175 be mounted., Red, 24V, 1,2W W2x4,6d
11	858643	3	• Front ring		
11A	828803	3	• Guide ring		
12	828778	1	• Starter switch		Repl by 864277
13	(828676)	2	• • Key		State key code when ordering., Obsolete part
			• Bulletin P-36-4-1	P-36-4-1-EN	Deleted Part No's for Keys
14	1581184	1	• Round nut		
19	828587	1	• Buzzer		
20	828584	1	• Toggle switch		Alarm test
	828585	1	• Toggle switch		Instr. light
21	828586	2	• Nut		
22	858645	1	• Symbol strip		
23	828818	4	• Bulb		
24	828784	1	• Reflector		
25	873209	1	• Electronic unit		(828783)
26	(941615)	2	• Cross recessed screw		Obsolete part
27	941904	2	• Spring washer		
28	828646	1	• Cable trunk		
29	828647	4	• Screw		
30	949947	1	• Cross recessed screw		
31	941904	1	• Spring washer		
32	858795	1	• Protecting casing		